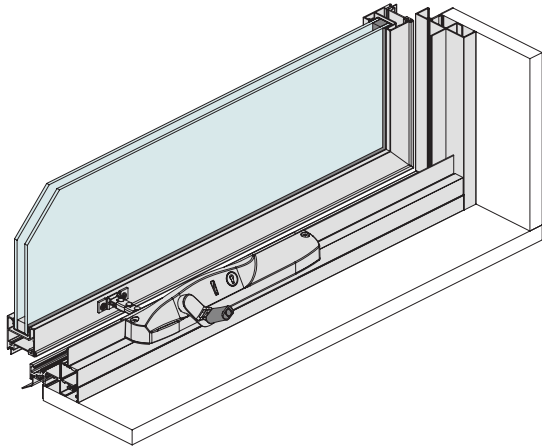
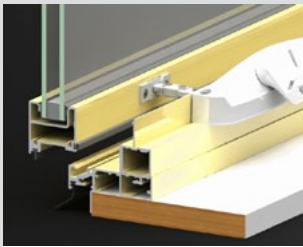


RESIDENTIAL SERIES | SERIES 756  
AWNING WINDOW

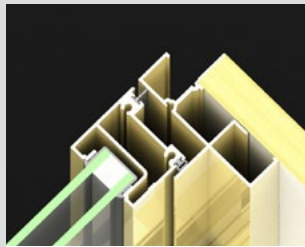


KEY FEATURES

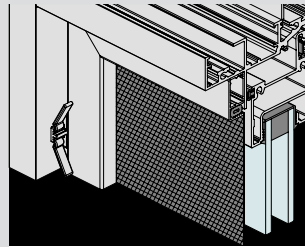
- 75mm aluminium awning window designed for excellent weather and improved thermal performance.
- Accepts 18-20mm IGUs for excellent thermal performance.
- Beaded sash option is available to accept a variety of glass thicknesses from 4mm single pane to 25mm IGU's.
- Extra strong sashes allow large sash windows to be fabricated for high wind load areas.
- Excellent weather performance rating of 600pa ensures Series 756 is suitable for use in most exposed locations throughout Australia.
- Awning sashes can be fitted with chain winders and performance latches if required.
- Flyscreens can be fitted without the need for additional trims delivering a refined finish.
- The frame can be fabricated either square cut or miter for a more architectural appearance.
- Tested for compliance with Australian Standard AS2047



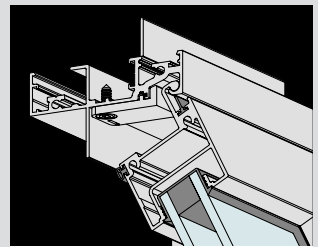
Heavy duty chain winders are fitted to reinforced sections for long term durability.



75mm frames allow wrap around sashes to accept 18-20mm IGUs for excellent thermal performance.



Fly screens can be easily fitted with custom nylon clips located on the jambs/mullions.



Continuous hinge hood on sashes protects the top of the sash from water intrusion.

GENERAL

**Max Panel Height\***  
2100mm

**Max Panel Width\***  
2400mm

**Max Glass Thickness**  
18-20mm

**Frame Depth**  
75mm

**ENERGY**  
**UW Range**  
3.4 - 6.6

**SHGC Range**  
0.21-0.66

WEATHER

**Maximum Water**  
600 Pa.

ACOUSTICS

This product has not been acoustics tested.

