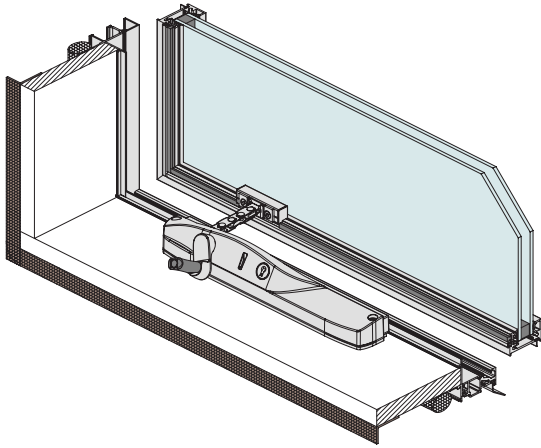
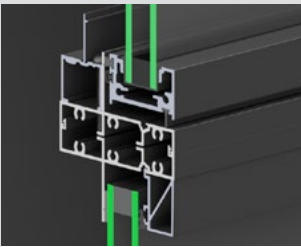


RESIDENTIAL SERIES | SERIES 755
COMFORTEDGE™ AWNING WINDOW

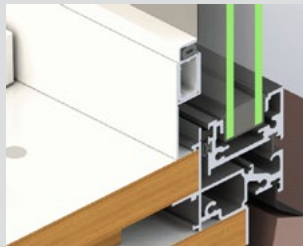


KEY FEATURES

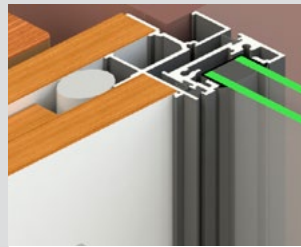
- 75mm aluminium awning window designed for optimal thermal performance.
- ComfortEDGE™ reveal delivers a minimalist design aesthetic and optimised vision plane through the window.
- Thermal performance is achieved by reducing the exposed internal boundary and the ability to transfer energy through the aluminium frame.
- Patented chain winder adaptor brackets allow the body of the sash to remain concealed below the reveal and maintain the same sightlines as fixed lights.
- Accepts 18-20mm IGUs for excellent thermal performance.
- 75mm frame provides excellent strength and weather performance achieving a water resistance rating of 600pa.
- Flyscreens can be fitted without the need for additional trims delivering a refined finish.
- The frame can be fabricated either square cut or miter for a more architectural appearance.
- Tested for compliance with Australian Standard AS2047



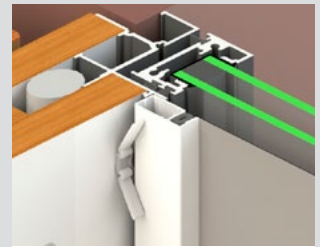
75mm frame accepts 18-20mm IGUs for optimal energy performance.



Integrating the frame with the reveal delivers a minimalist design aesthetic and optimal viewing plane to the outdoors.



Thermal performance is achieved by reducing the exposed internal boundary and the ability to transfer energy through the aluminium frame.



Chain winder adapter has built fly screen supports to allow fabricators to easily fit without expensive, unsightly trims.

GENERAL

Max Panel Height*
2100mm

Max Panel Width*
2400mm

Max Glass Thickness
18-20mm

Frame Depth
75mm

ENERGY
UW Range
2.32 - 3.22

SHGC Range
0.224 - 0.572

WEATHER

Maximum Water
600 Pa.

ACOUSTICS

This product has not been acoustics tested.



*Dimensions subject to individual site conditions.